



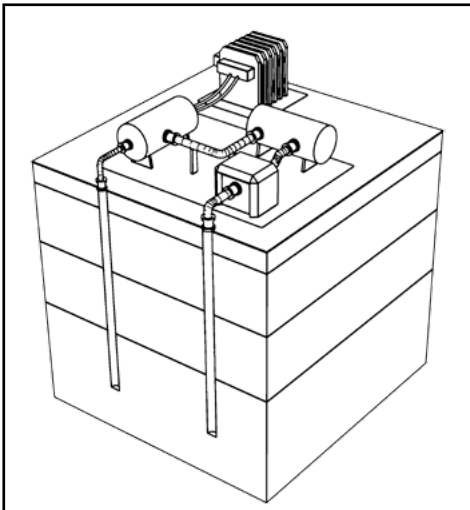
# RENEWABLE ENERGY IN AUSTRALIA

## Renewable Energy – A Review

Name: \_\_\_\_\_

Use the lines next to each picture to write everything you know (in your own words) about various renewable energy sources used in Australia.

What is it called? How does it work? What are some interesting facts?



---

---

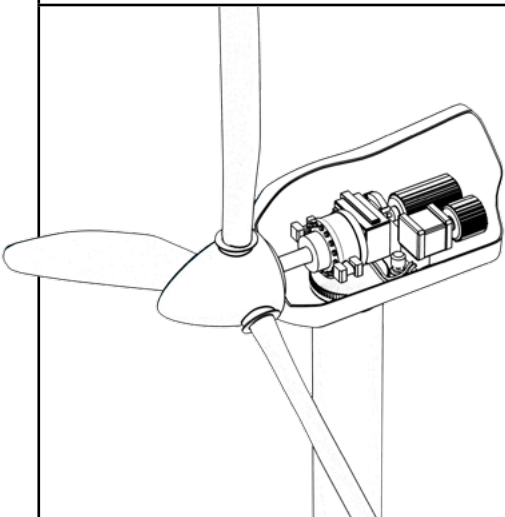
---

---

---

---

---



---

---

---

---

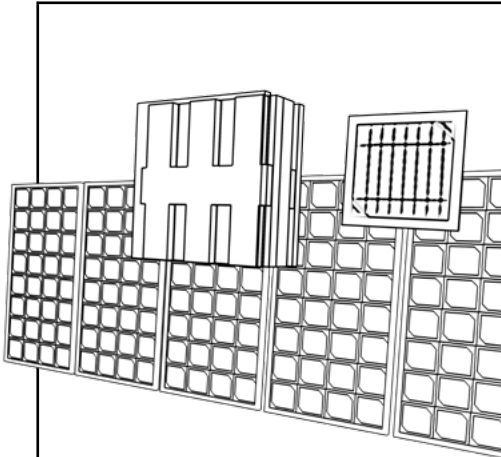
---

---

---



# RENEWABLE ENERGY IN AUSTRALIA



---

---

---

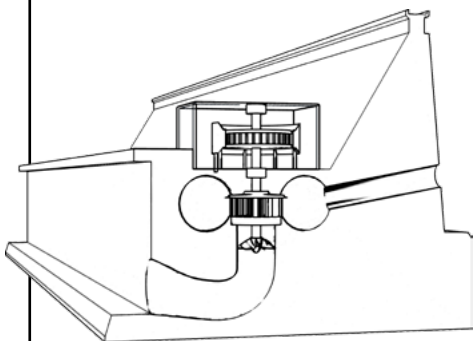
---

---

---

---

---



---

---

---

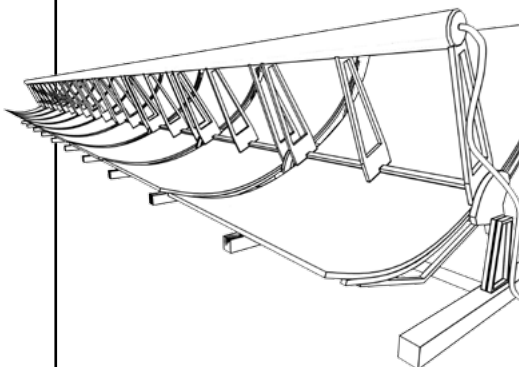
---

---

---

---

---



---

---

---

---

---

---

---

---