



TEMPLATES

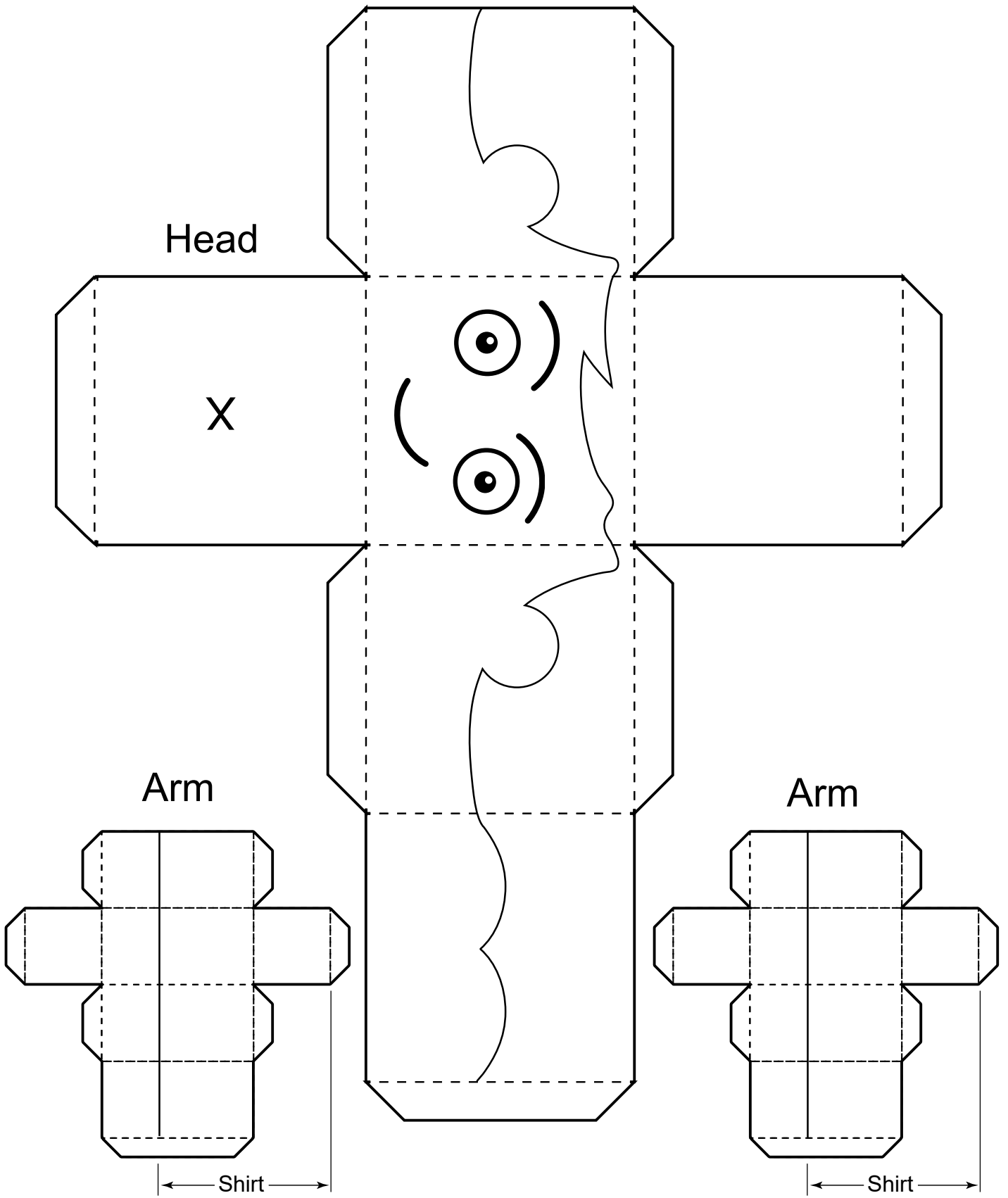
Boy paper model instructions

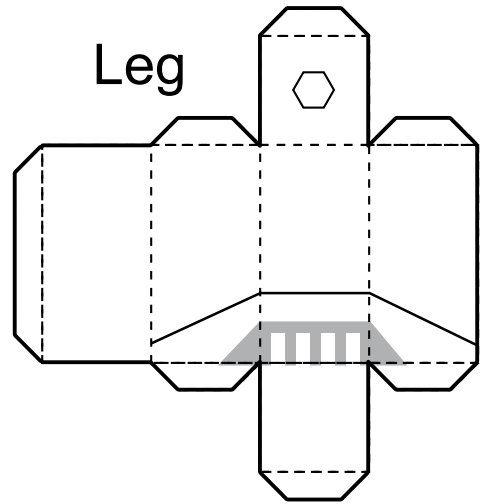
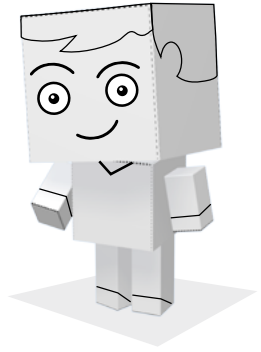
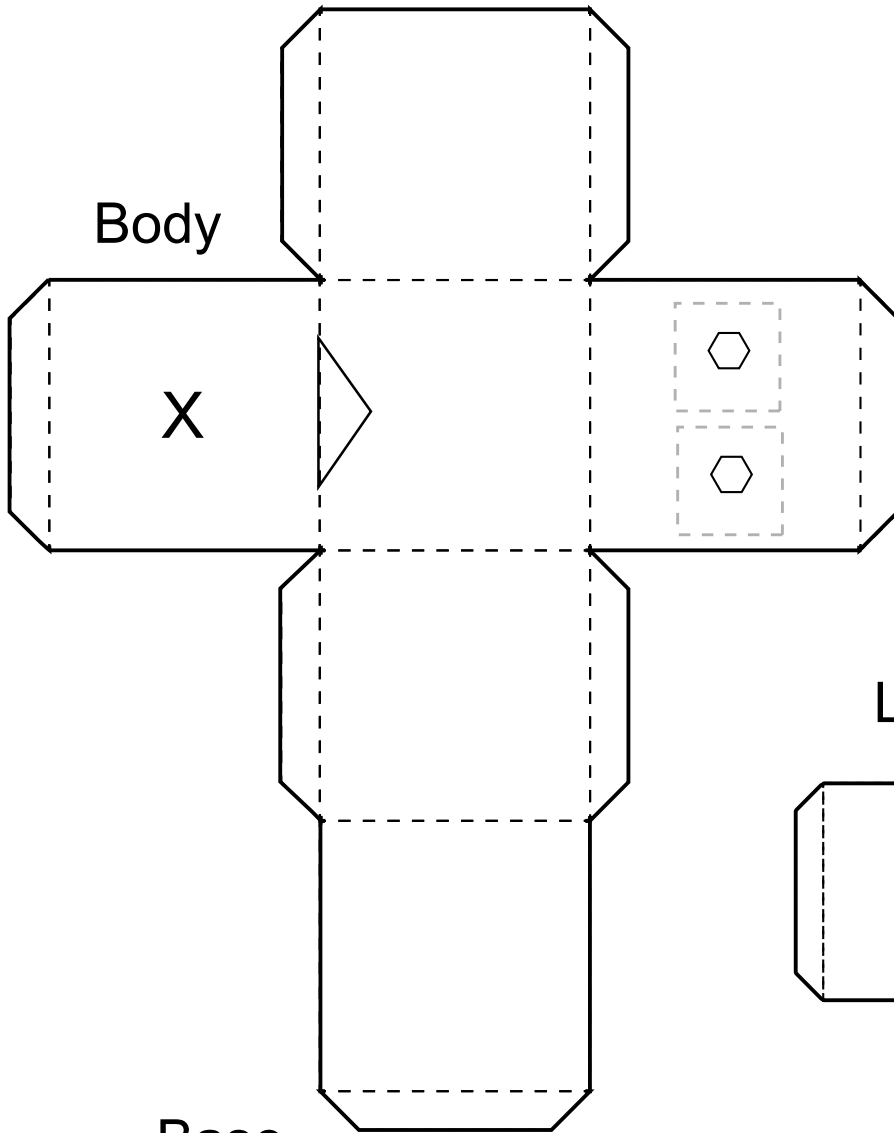
You will need:

- Template of your choice (black and white or colour) enlarged to A3
- Scissors
- Glue stick
- Sticky tape
- Ruler

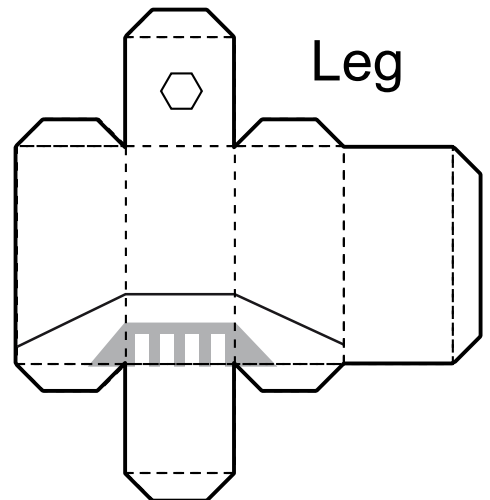
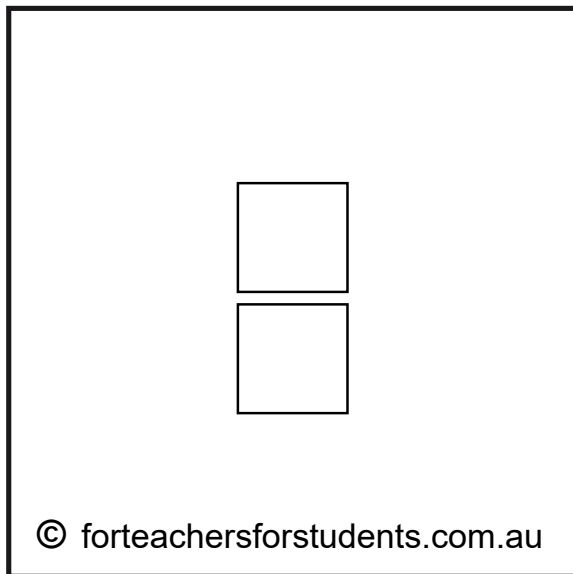
Instructions:

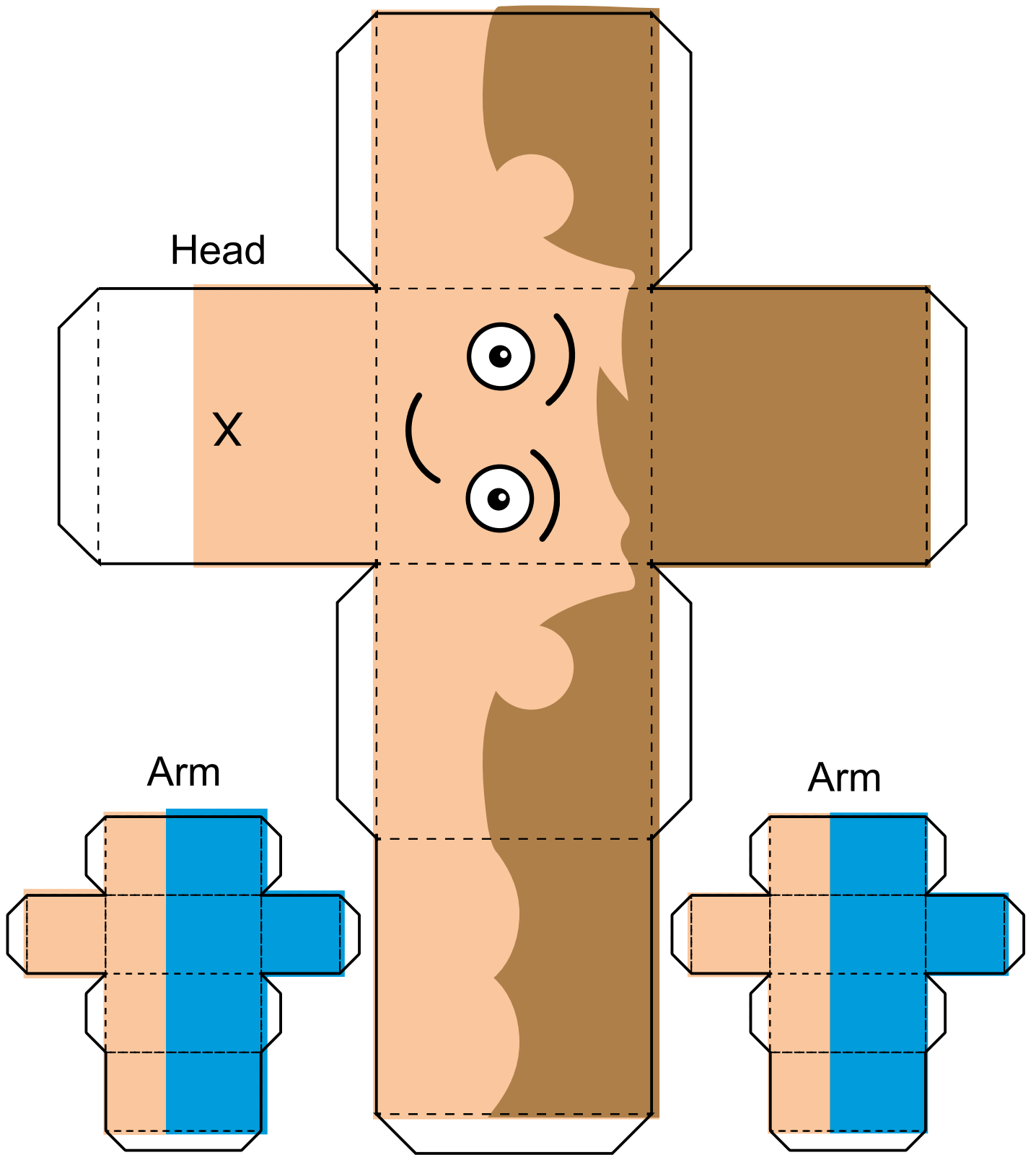
1. Slowly and carefully cut around each of the shapes following the solid black outside lines (the dotted lines are for folding).
2. Starting with the head, use a ruler to fold along each of the dotted lines. Check to see if your box will fold neatly to create a cube, then apply glue to the tabs. Carefully press each of the tabs to secure them in place, to create a cube. Put aside to dry. You can use sticky tape to secure the cube if you wish.
3. Repeat step 2 with the body piece. This will be a smaller cube.
4. Repeat step 2 with the arm and leg pieces to create small rectangular prisms (cuboids).
5. Apply glue to the top of the legs and attach to the bottom of the body using the hexagon shapes as a placement guide. Make sure the shoes are facing the front. Allow glue to dry.
6. When dry, apply glue to the top of the body and secure the head in place. Stand the model upside down on the head until the glue dries.
7. Cut around the square labelled 'base' and glue to a piece of thin card (about the thickness of a cereal box).
8. When your model is dry glue the bottom of the feet to the base.
9. You may wish to stand a small cup on either side of your model to hold it upright until the glue dries.

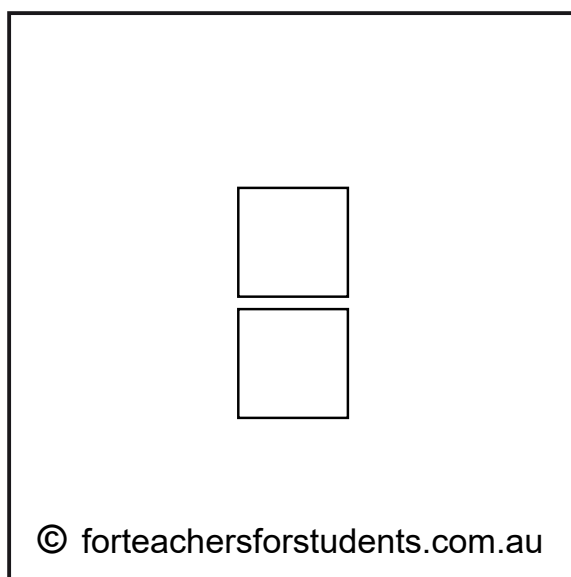
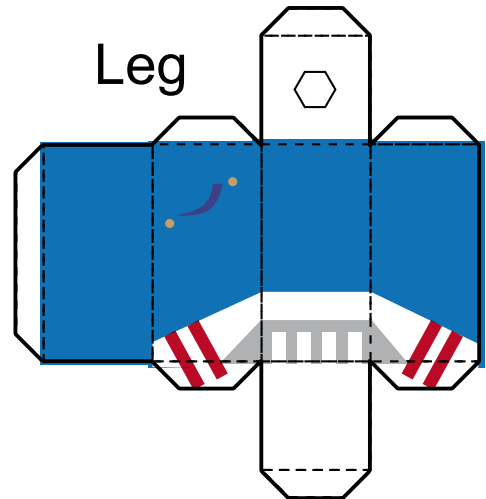
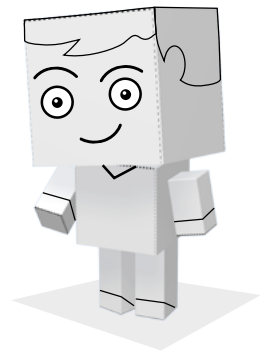
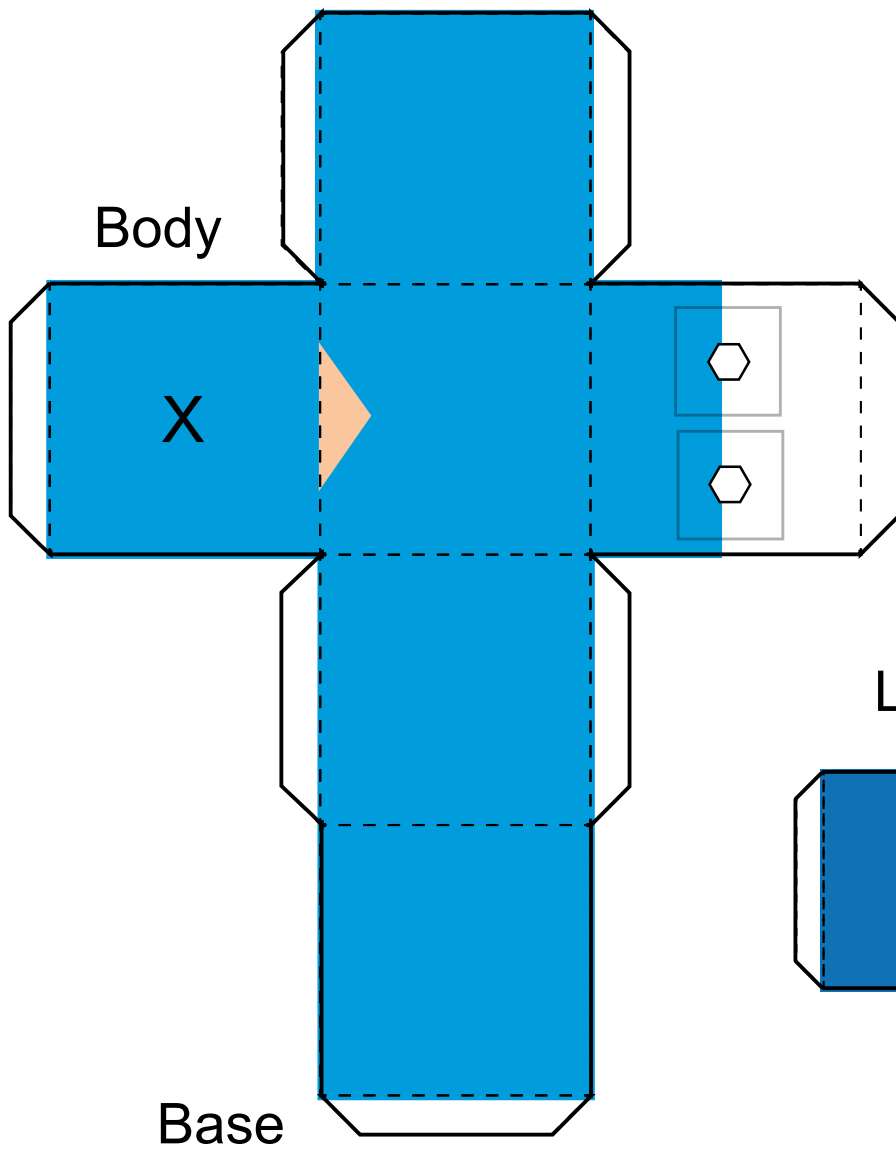




Base







© forteachersforstudents.com.au